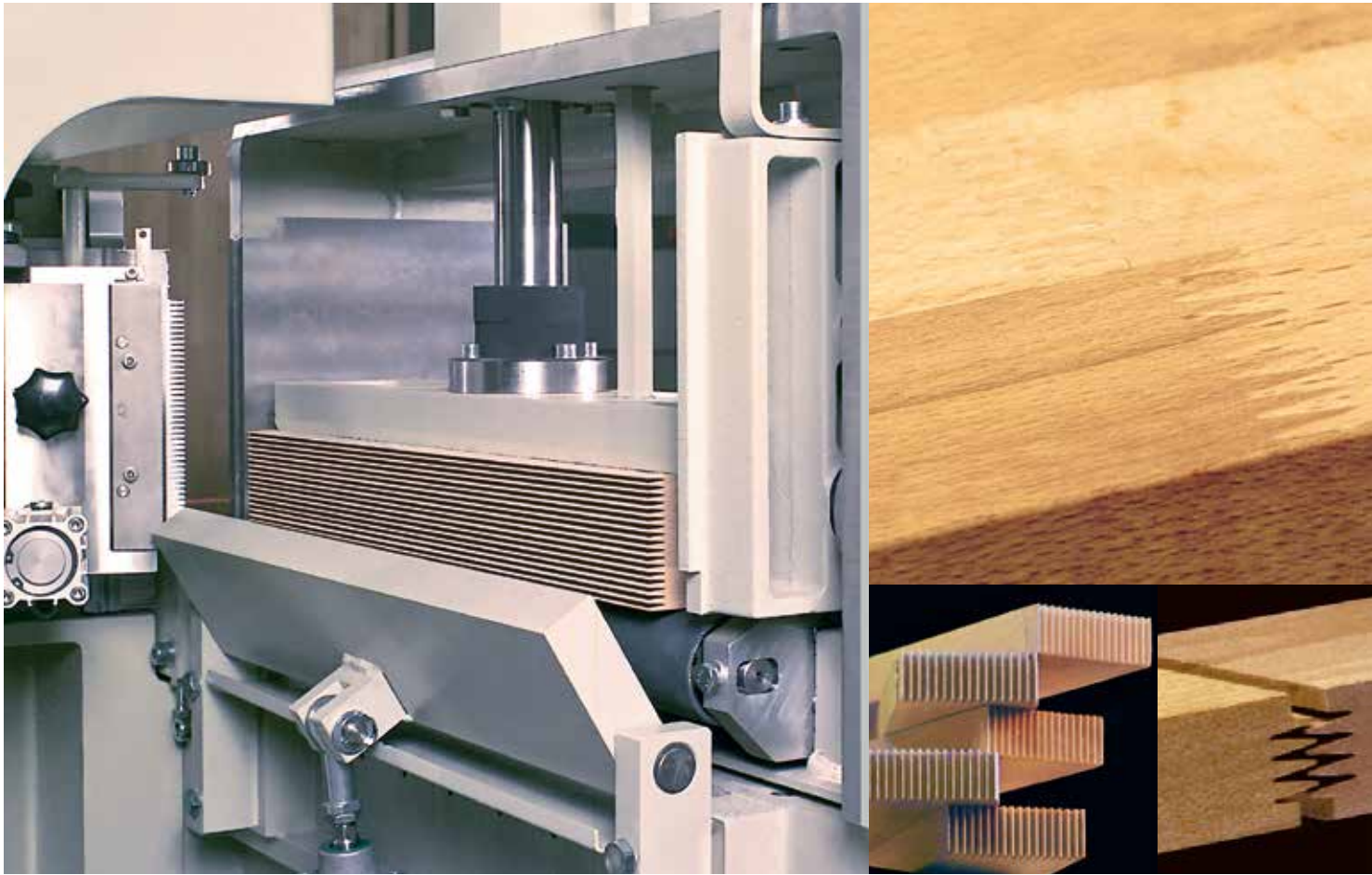


# FINGER JOINTING LINES PROFIJOINT

Large performance potential  
for starters



# WEINIG finger jointing line ProfiJoint – High performance at low price

WEINIG is the leading manufacturer of innovative finger jointing lines. With the ProfiJoint the economic use of residual timber is possible also for smaller and medium-sized companies as well as all solid wood manufacturers.

Benefit from the advantages and make your decision in favour of the ProfiJoint – a clever investment which pays off quickly.





This line ensures a uniform, precise cutting pattern all over the entire package width by a frequency-controlled cutting table motor with high infeed power.

Timber widths up to 150 mm (170 mm optional) / 5.91" (6.69" optional), timber thicknesses up to 50 mm (ProfiJoint Capacity: 80 mm) / 1.97" (ProfiJoint Capacity: 3.15") and min. infeed lengths of 150 mm / 5.91" can be processed without any problems on the proven entry-level model ProfiJoint. The cast iron body reduces vibrations in the area where a precise jointing is of importance. No matter whether joints shall be produced vertically or horizontally by means of scoring units; the ProfiJoint product family is provided with the same tool technology as the high-performance categories from WEINIG.



#### The ProfiJoint –

- Package solution consisting of shaper, automatic glue application, transfer station and press.
- Including hogger; axial adjustment in the range of 1/100 mm / ~1/1000" (scoring units as options).
- High-performance shaper with a cutting table having a width of 500 mm / 19.69" on which the timber can be placed in packages for horizontal or vertical processing.
- Finger length: 4 – 15 mm / 0.16" – 0.59".
- Proven, maintenance-free Weing cutter spindle; axial adjustment in the range of 1/100 mm / ~1/1000".
- Automatic spindle stroke for a mismatch-free finished product.
- Automatic application of PVAC or PU glue, exact dosage and easy cleaning by the FlankenJet system.
- Profiled and glued timber pieces are transported separately to the press and pressed at given lengths.
- Easy to install, quickly serviceable.
- Simple operation and standard technology easy to maintain.

# WEINIG finger jointing lines ProfiJoint – Large performance potential for starters

## ProfiJoint

consisting of:

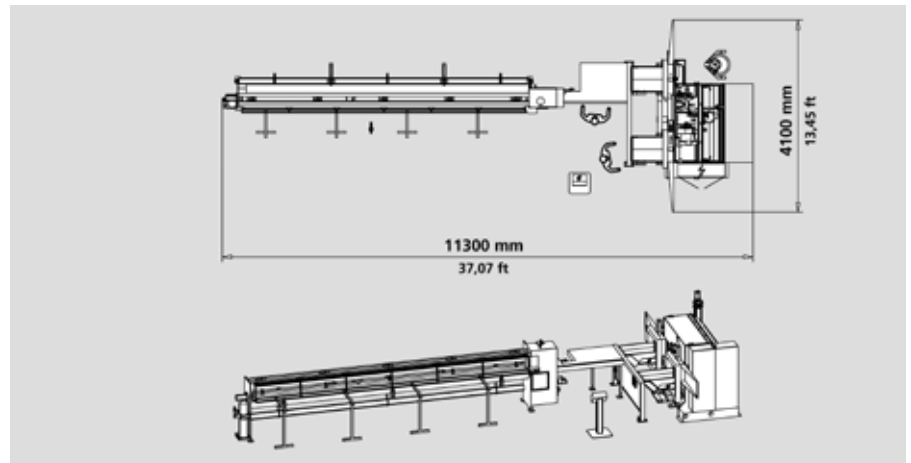
**Finger jointing shaper ProfiJoint,  
manual transfer station  
and one-channel press**

Output:

Shaper: 2 packages / min

Transfer station: 30 pcs. / min  
(depending on the  
operator)

Press: 2 cycles / min



## ProfiJoint Comfort

consisting of:

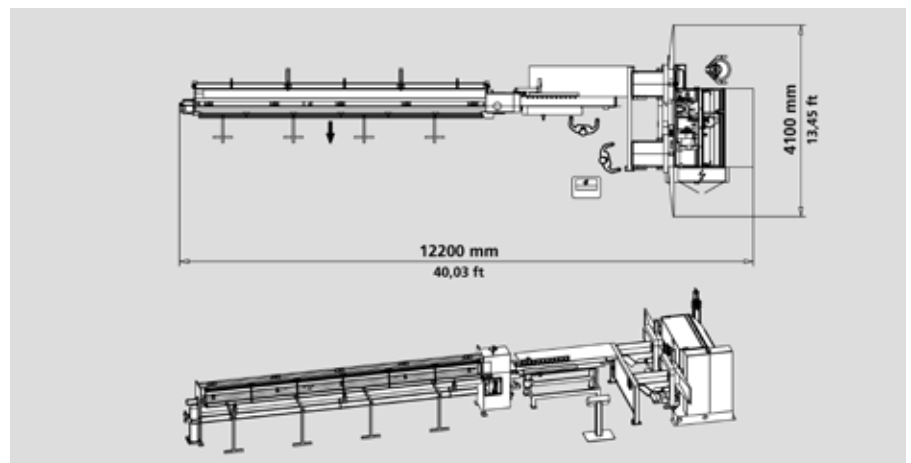
**Finger jointing shaper ProfiJoint,  
semi-automatic transfer station  
and one-channel press**

Output:

Shaper: 2 packages / min

Transfer station: 35 pcs. / min  
(depending on the  
operator)

Press: 2 cycles / min



## ProfiJoint Capacity

consisting of:

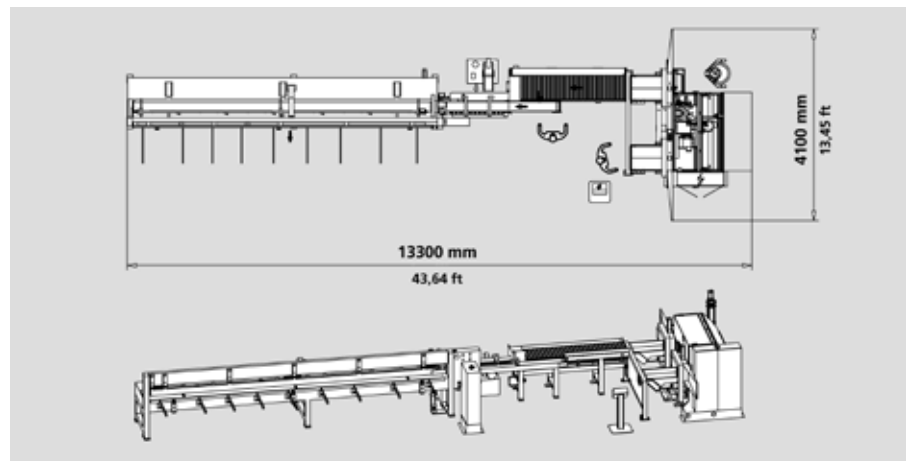
**Finger jointing shaper ProfiJoint,  
semi-automatic transfer station  
and two-channel press**

Output:

Shaper: 2 packages / min

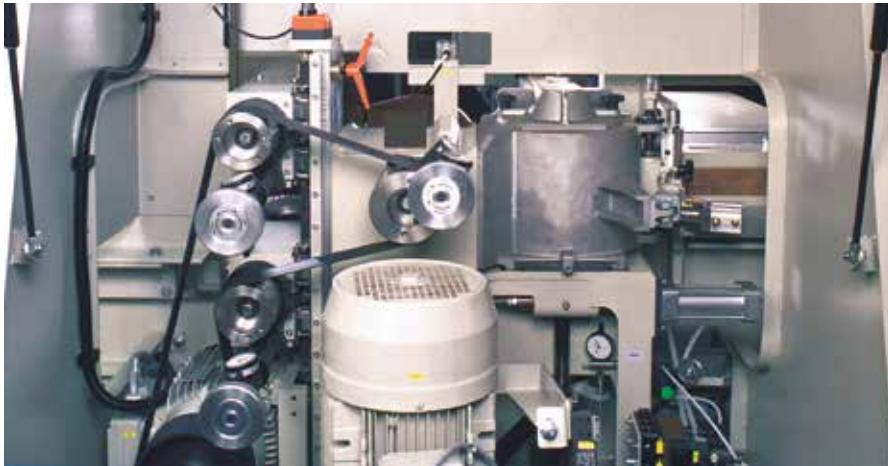
Transfer station: 40 pcs. / min  
(depending on the  
operator)

Press: 4 cycles / min





# Optimised processing aggregates for exact finger jointing



## **An excellent tool standard**

The hogger and finger cutters form the base of the production of exact finger joint profiles. The base can be expanded by optional top and bottom scoring saws. The scoring saws are synchronised and thus avoid tear-outs. The indirect drive ensures high performance reserves and vibration-free processing of short pieces. Only by this method an absolutely tight joint of wood can be generated.



## **WEINIG automation modules**

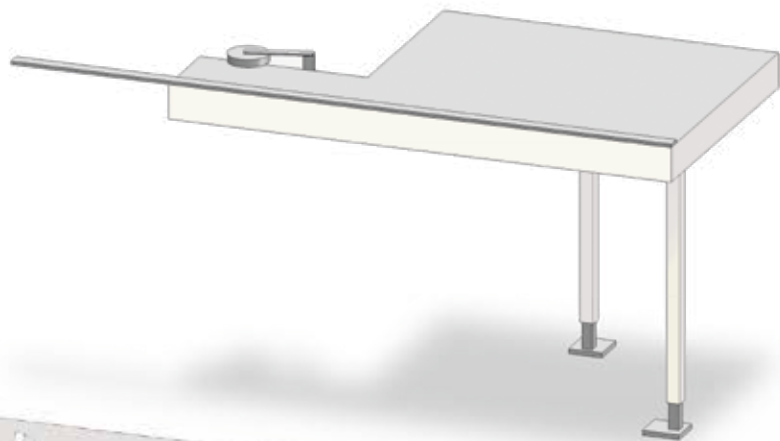
offer an enormous performance potential:

- Manual or semi-automatic transfer from the shaper to the press.
- One- or two-channel presses for larger timber thicknesses (up to a maximum timber thickness of 100 mm / 3.94").

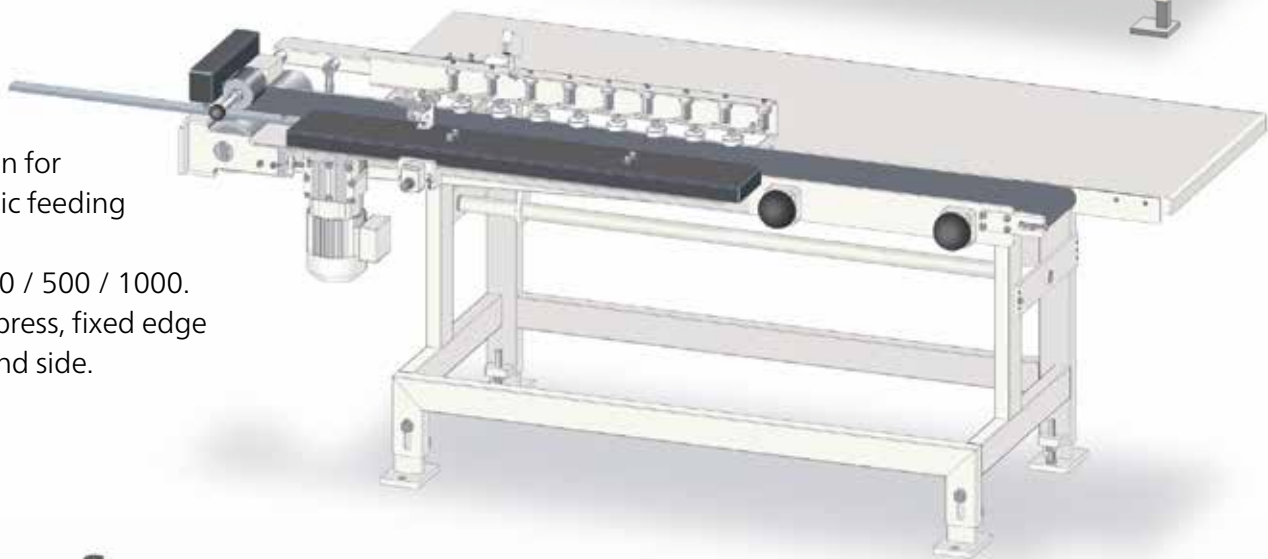
# WEINIG finger jointing lines ProfiJoint

The ProfiJoint series offers you the possibility to determine the capacity of the transfer station and the press yourself. You can choose between a manual or semi-automatic transfer station. Based on the technical performance requirements, WEINIG recommends a customised solution to you.

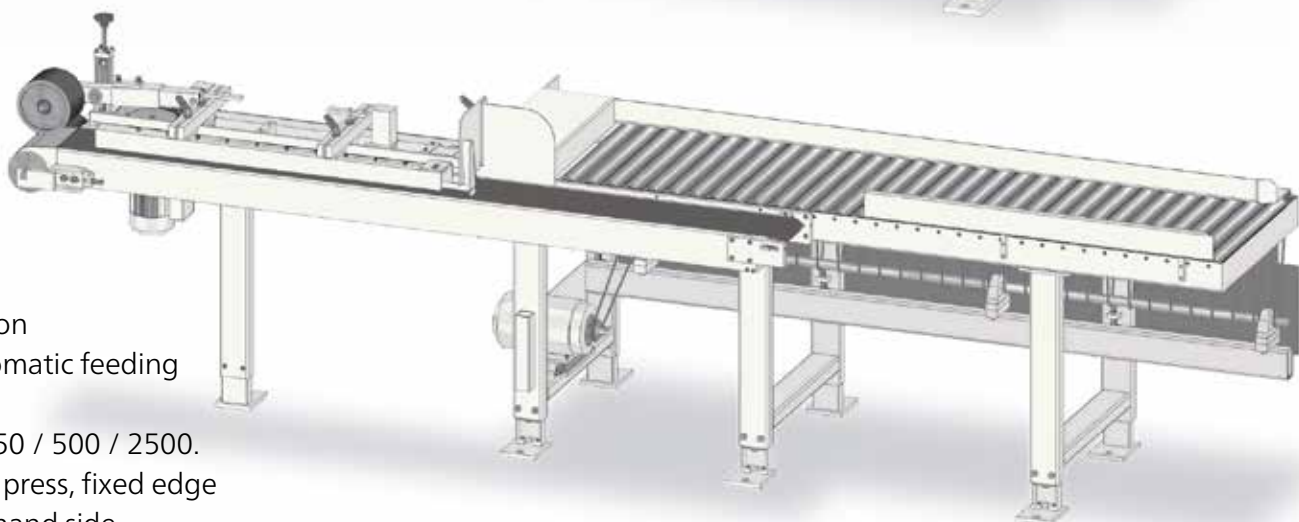
Transfer station for manual feeding of the press.  
Fixed edge on the left-hand side.



Transfer station for semi-automatic feeding of the press,  
model EKR 150 / 500 / 1000.  
One-channel press, fixed edge on the left-hand side.



Transfer station for semi-automatic feeding of the press,  
model EKR 150 / 500 / 2500.  
Two-channel press, fixed edge on the right-hand side.



# Synoptic table of the finger jointing lines of the ProfiJoint series – Standards and options

The matrix shows the significant features of difference between the single models. Your WEINIG specialist will be happy to provide you with information about e. g. the Ultra, CombiPact, Turbo, HS 120 / 200 taking your individual requirements into account.

	<b>ProfiJoint</b>	<b>ProfiJoint Comfort</b>	<b>ProfiJoint Capacity</b>
Infeed length	150 – 700 mm / 5.91 – 27.56"	150 – 700 mm / 5.91 – 27.56"	150 – 700 mm / 5.91 – 27.56"
Timber width	40 – 150 mm / 1.57 – 5.91"	40 – 150 mm / 1.57 – 5.91"	40 – 150 mm / 1.57 – 5.91"
Timber thickness	20 – 50 mm / 0.79 – 1.97"	20 – 50 mm / 0.79 – 1.97"	20 – 80 mm / 0.79 – 3.15"
Outfeed length	3000 – 6100 mm ** 10 – 20 ft **	3000 – 6100 mm ** 10 – 20 ft **	3000 – 6100 mm ** 10 – 20 ft **
Thrust force	100 kN / 10 t	100 kN / 10 t	120 kN / 12 t
Maximum timber cross section at a finger length of 10/11 mm / 0.39/0.43" (softwood)	83 cm <sup>2</sup> 12.87 in <sup>2</sup>	83 cm <sup>2</sup> 12.87 in <sup>2</sup>	100 cm <sup>2</sup> 15.50 in <sup>2</sup>
Maximum timber cross section at a finger length of 10/11 mm / 0.39/0.43" (hardwood)	67 cm <sup>2</sup> 10.39 in <sup>2</sup>	67 cm <sup>2</sup> 10.39 in <sup>2</sup>	80 cm <sup>2</sup> 15.50 in <sup>2</sup>
Capacity (vertical jointing) with 28 x 90 x 400 mm / 1.10 x 3.54 x 15.75"	11,5 m/min. 37.7 ft/min.	12,2 m/min. 40 ft/min.	13,0 m/min. 42.7 ft/min.
Capacity (horizontal jointing) with 22 x 50 x 350 mm / 0.87 x 1.97 x 13.78"	6 m/min. 19.7 ft/min.	6 m/min. 19.7 ft/min.	6 m/min. 19.7 ft/min.
Shaper types	Package single shaper	Package single shaper	Package single shaper
Transfer station	Manual	Semi-automatic	Semi-automatic
Press with front-end pressure application	One-channel press	One-channel press	Two-channel press
Production statistics	—	—	—
Diagnosis system	—	—	—
Multiple lengths	0	0	0 – 6
Intermediate cuts	0	0	0 – 5
Timber tear-out prevention (scoring unit at the bottom)	○	○	○
Horizontal finger jointing (scoring units at the top and bottom)	○	○	○
Timber thickness, min. 16 mm / 0.63"	○	○	○
Timber thickness, max. 100 mm / 3.94"	—	—	○
Timber width, min. 25 mm / 0.98"	○	○	○
Timber width, max. 170 mm / 6.69"	○	○	○
Shuffling limit stop	○	○	○
Package control	○	○	○
Quality control	—	—	—
Splinter protection	●	●	●
Glue application system FlankenJet	●	●	●
Communication (Teleservice)	○	○	○
Capacity reserve of cutter spindle drives	○	○	○
Frequency-controlled feed	●	●	●
Servo-controlled feed	—	—	—
Drive power of cutters	15 (22) kW / 20.11 (29.50) hp	15 (22) kW / 20.11 (29.50) hp	15 (22) kW / 20.11 (29.50) hp
Drive power of hogger (+ scoring unit)	5,5 (11,5) kW / 7.38 (15.42) hp	5,5 (11,5) kW / 7.38 (15.42) hp	5,5 (11,5) kW / 7.38 (15.42) hp

Technical modifications reserved. Information and figures in this brochure also include special equipment which is not part of the standard scope of supply. Protection covers partially removed for the photos.

● Standard                      ○ Option                      \*\* Other lengths upon request

# FINGER JOINTING LINES PROFIJOINT

---

20210726\_Profijoint\_EN\_V1.0



**WEINIG**

**WEINIG GROUP**

sales@weinig.com  
www.weinig.com